

## **Parallel Architecture for Wavelet Analysis in Medical Signal Perception for Deviation Detection**

M Sessa Giri Rao<sup>1</sup>

<sup>1</sup>(Department of Electronics and Information Technology, Government of India, India)

---

**Abstract :** *There has been requirement to evolve a general parallel architecture for concurrently processing Electrocardiogram (ECG) using Wavelet Transform based DSP algorithms. In order to acquire spatial ECG electrical signals, 12 ECG lead channels need to be digitized and concurrently processed by Wavelet Transforms, simultaneously acquiring from all the 12 leads. More over now a days 15 Channel ECG is also under consideration in research, for on-line monitoring of critical patient in an ICU situation, while assessing or monitoring load on heart, during treatment process. In these wavelet transform algorithms, matrix inverse operations using wavelet bases matrix, requiring simultaneous matrix multiplications are involved. In order not to loose, high frequency components of ECG, for signal perception or deviation detection using wavelets, the ECG beat is segmented into 410 cubic splines at 2048bps sample rate, to explore association of ECG deviations to different heart ailments. Each spline has associated wavelet coefficient matrix, computed using bases matrix and incoming Digitized ECG vector matrix. On each of the 12 lead ECG channels, there are 410 matrix operations required per channel per beat. These matrix operations are required simultaneously, on all the 12 lead ECG Channels, for concurrent digital signal processing of channels for deviation detection. In this processing, multiple data has to be processed by single instruction or algorithm statement, which leads to SIMD (Single Instruction Multiple Data) architecture. So, a parallel architecture with 16 Processing Elements (PE) with array multipliers for matrix operations are evolved in this review article for suggesting a general parallel architecture for ECG Wavelet Analysis for Signal Perception and Deviation Detection. Using this general parallel architecture, several Wavelet Transform based algorithms, for signal perception for deviation detection are possible, for associating ECG deviations to different heart ailments and localize the deviation to mechanical functional deviation of the hearts anatomy or muscle for on-line diagnostic purpose. So a complete architecture is evolved for such parallel processing, searching the architectural research space and suggested an architecture, illustrating brief part of an algorithm.*

**Keywords:** *ECG, Wavelet Transform, Cubic Splines, Processing Element, SIMD, Parallel Processing*

---

### **I. Introduction**

The ECG signal analysis is widely used for the cardiac disease diagnostics and consequently for urgent treatments of ill or critical patients. There has been requirement to evolve good parallel architectures to embed wavelet transform algorithms for analyzing medical signals, specifically ECG, considering, on-line monitoring requirement as an aid in the treatment of patient in an ICU situation. Electrocardiogram (ECG) is generally obtained by 12 lead ECG channels using body area electronics. A 15 lead ECG is also under research, for improved diagnostics, during monitoring of a patient under treatment, for heart preload variations.

The standard ECG wave is a representation of heart's electrical activity, recorded from electrodes on the body surface [1]. The mechanical motion of the heart or polarization and depolarization of the heart muscles that makes it pump blood is represented by ECG Waveform, measured on the body. Deviation detection of ECG Waveform using Wavelet Transforms has diagnostic value, in knowing the difference in heart muscle based pumping action or function. On-line analysis, using Wavelet Transforms provides aid in treating critically ill patients. Many algorithms are in the research space, to apply on ECG waveforms. But, complete ECG is represented by 12 lead or future 15 lead waveforms, which need to be concurrently subjected to Wavelet Transforms based DSP algorithms, simultaneously acquiring and digitizing all the channels. When segmented into spline based wavelet coefficient matrices, each beat per channel has about 410 matrix computations involving multiplications. All the 12 to 15 channels have to compute concurrently, acquiring digitized time series of ECG on all the channels, for applying same algorithm on multiple data from different channels. Thus arises, requirement of evolving general parallel architecture to embed various wavelet based algorithms of ECG Analysis and Perception for Deviation Detection required for various diagnostic purposes.

## **II. Wavelet Transform Principles**

Unlike Short Time Fourier Transforms (STFT) meant for stationary waves, Wavelet Transforms provide both time and frequency resolution of interest in processing wavelets. It is possible to have temporal and frequency spectral information in the form of coefficients, simultaneously, so it is suited for determining characteristic points of non stationary and fast transient signals, such as ECG signals. This feature is suitable to distinguish the ECG signal from noise and interferences. The wavelet method decomposes a time variant signal into several components having various scales or resolutions. A suitable time and frequency limited wavelet is chosen as the “mother wavelet”. By scaling and shifting the mother wavelet, a family of functions called “daughter” wavelets is generated. For small value of the scale factor, wavelet is constructed in the time domain and gives information about fine details of signals. Therefore a global view of the signal is obtained by the scale factor large value. The wavelet transform of a time signal at any scale is the convolution of the signal and a time-scaled daughter wavelet.

Essentially, there are two types of wavelet decompositions: continuous wavelet transforms and the non redundant ones such as orthogonal, semi-orthogonal, or bi-orthogonal wavelet bases [2]. The first type is preferable for feature extraction because it provides for a description that is truly shift-invariant. The second type is preferable for data reduction, or when the orthogonality of the representation is an important factor. However, the choice between these types of decompositions has to take into account computational considerations, too. A decomposition in terms of wavelet bases using Mallat fast algorithm is typically orders of magnitude faster than a redundant analysis, even if the fastest available algorithms are used [3], [4] in image domain applications.

As the aim of this paper is to evolve a general parallel architecture for suggesting, fast parallelized algorithm based on non redundant wavelet decompositions is important. To determine the best wavelet function to be used, the ECG signal properties have been studied, such as the shape and the time localization of events. Temporal signal shape is an important parameter, so orthogonal wavelets are unsuitable to be used. In fact they are unable to provide symmetry in the time domain and they introduce non-linear phase shift. The signal shape is maintained if the phase shift is linear. Thus the wavelet to be adopted should be a symmetrical function [5]. spline wavelets have properties satisfying the previous requirements. The higher order spline wavelet results, in very close to corresponding segment representation of ECG wave, which is always desirable. Higher order spline wavelet has larger coefficient series or matrix leading to more computational time consumption. Therefore, the cubic spline wavelet is assumed to have an order high enough for ECG application in order not to lose high frequency components required for deviation detection for diagnostic purpose. Traditional wavelet theory [6] and corresponding algorithms, consider a decomposition suitable for single channel ECG that does not concurrently compute wavelet coefficient matrices 410 nos per heart beat per channel, simultaneously acquiring all the 12 to 15 ECG channels, for deviation detection, to pinpoint or localize to a specific heart ailment, for on line diagnostic purposes. So, the novel computational techniques, such as parallel processing, concurrent programming evolving suitable architecture is required, choosing from the architectural research space. The Mallat algorithms for parallelized filter bank design have been used in [7]. The algorithm generates a set of parallelized perfect-reconstruction filter banks for an arbitrary number of end-nodes of a traditional tree structure [8]. This parallel architectural design evolution review, is in continuation to the work on Wavelet Transforms researched for Deviation detection of frequency domain ECG Signals, digitized as time series [9] and are considered for embedding in the general architecture evolved for usage of such Wavelet Transform based computations, for further future diagnostic research purposes.

## **III. Parallel Architecture for ECG Digital Signal Processing**

In ECG there are 12 Channels for acquisition, Lead I, Lead II, Lead III, aVR, aVL, aVF, V<sub>1</sub>, V<sub>2</sub>, V<sub>3</sub>, V<sub>4</sub>, V<sub>5</sub>, V<sub>6</sub>. If, these 12 Channels have to be digitized and subjected to Wavelet Transforms concurrently, acquiring simultaneously, parallelly Wavelet Transforms have to be computed, in on-line ECG systems for monitoring and detection purposes. In the algorithm [3], the heart beat period is approximately segmented into 410 splines and the corresponding coefficient matrices for each spline have to be computed per beat for all the channels, approximately in less than a second period at a heart beat of around 72 beats per second. Such continuous monitoring of ECG for deviation analysis need Parallel Architectures, to extract ECG features such as ‘P’, ‘QRS’, ‘T’, ‘U’ waves and detect deviations in these waves. Unlike in general parallel configuration, 12 Analog to Digital Converters (ADC) also need to be incorporated in the Architectural Design.

#### **IV. Single Instruction Multiple Data (SIMD)**

There are mainly four parallel configurations available in the parallel processing domain: they are Single Instruction Single Data (SISD), Single Instruction Multiple Data (SIMD)[10], Multiple Instruction Single Data (MISD), Multiple Instruction Multiple Data (MIMD). In the present ECG systems, there are 12 Channels, where as in the future ECG systems under research, 15 Channels are likely, for concurrent and simultaneous processing. In addition to keeping a Processing Element (PE) per channel a PE is also required for front end jobs.

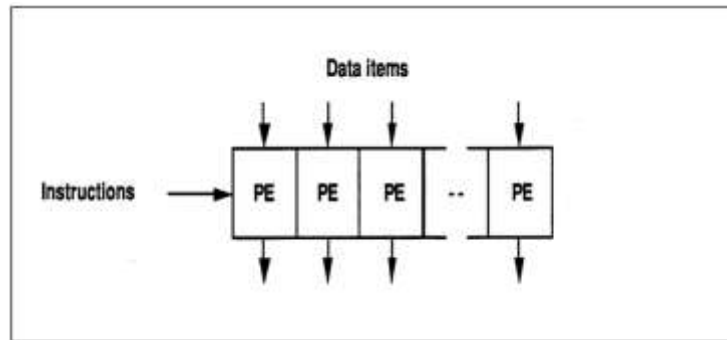


Figure 1 SIMD (Single Instruction Multiple Data)

Analog Signal from every channel is converted to a time series, using around 12 to 15 Analog to Digital Converters at the pre stage of the parallel processing. ECG processing is by Wavelet Transforms, executed by Parallel Processing Elements (PEs) in the architecture. The PEs need to concurrently execute, the same instruction in the case of M/c code concurrently on Multiple Data obtained via ADCs or M/c code equivalent to same statement in the case of Parallel Pascal or 'C'. Multiple Data from multiple channels appear to the same processor instructions, in all the Wavelet Transform PEs.

So, out of all the general parallel processing configurations, Single Instruction Multiple Data (SIMD) shown in Figure 1 suite the ECG processing application for deviation detection based on Wavelet Transformations, for on line diagnostic purpose.

#### **V. Parameters of trade off for Parallel Processing Architecture Design**

- Principle of Operation
- Processing Array
- Processing Element (PE) Design
- Parallelism Vs Machine Parallelism
- Input/Output Design for Arrays
- Parallel languages available for the arrays

Based on the above design logic, the principle of operation chosen is SIMD: Single Instruction (of ECG Processing) Multiple Data (Operated on multiple Digitized data from 12 or 15 ECG Channels). The chosen ECG Processor, i.e SIMD processor has a single Control Unit, reading instructions pointed to by a single ECG Program Counter (PC), decoding them and sending control signals to the Processing Elements (PEs) of the ECG Processor Array. Data are to be supplied to and derived from the Processing Elements (PEs) by a memory with as many data paths as PEs. So, after the trade off, two dimensional mesh connected Processing Array configuration with 16 ECG PEs for embedding DSP wavelet transform software are chosen as shown in the Figure 2 below

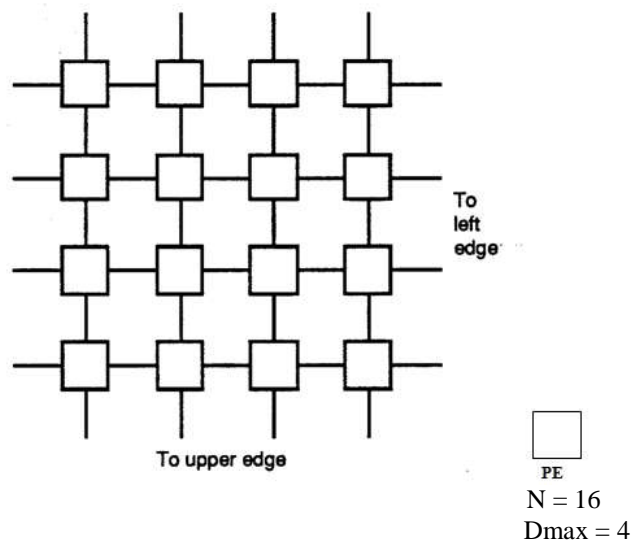


Figure 2: 16 PEs Parallel Array configuration for ECG Digital Signal Processing

In the above parallel configuration lower edge is connected to upper edge and left edge is connected to right edge. In the trade off between processing capacity and parallelism, it is going for less processing power for ECG processing and more size of the array, i.e how one to one PEs are chosen as per number of channels and a front end processor, i.e 16 no.s of PEs, considering maximum number of channels possible in ECG. In ECG processing, as the incoming channels provide, time series, after digitization (i.e after ADC stage), the natural choice in the design architecture is Bit-Serial Processors as PEs with more parallelism in the array.

### VI. Processing Element Design

The Processing Element design has a trade off, between embedding a 32 Bit Floating Point processor[10][11] for matrix computations involved in Wavelet Transformations or Bit Serial Multiplier, depending on parallel language support and VLSI real estate and cost. Bit Serial Multiplier occupies less design space and less costly. Signal processing through Wavelet Transformations need faster multiplication units. So, enhanced Bit Serial PEs with Bit Serial Multiplication units, suite ECG Processing architecture. Simple Bit-Serial processor has the drawback of growth of multiplication time quadratically with the data width. The configuration chosen for the design is shown below in Figure 3, does the bit-serial multiplication in no more than, what is needed to read the operands bit by bit.

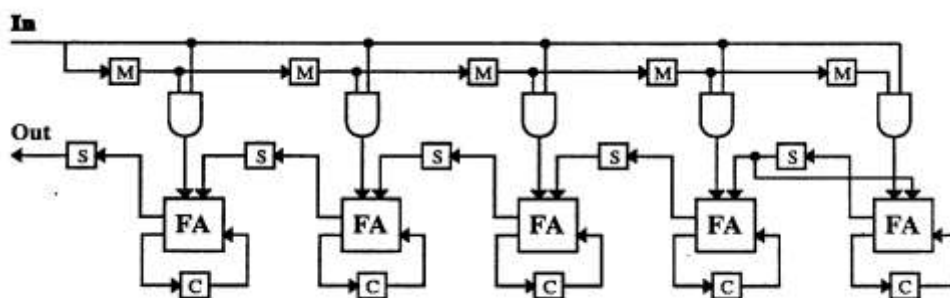


Figure 3: Bit Serial multiplier for PEs of ECG Processing

This method of multiplication is based on a carry-save adder technique that requires as many full adders as the data width. In the multiplier of each ECG Processing Element, there will be 32 Full adders to make 32 Bit multiplication operations. It operates by first shifting in, the multiplicands, most significant bit first, into the array of 'M' flip-flops. The bits of the multiplier are then successively applied to the input, least significant bit first and the product bits appear at the output, also least significant bit first.

## VII. Parallelism Vs Machine Parallelism

SIMD Processor array require, the ECG Signal processing problem to expose, atleast the same degree of parallelism as the array, to achieve highest efficiency. One to One parallelism, which may imply difficulties or overhead, concerning communication between processors and I/O is not required in ECG Wavelet Processing tasks, as concurrent and simultaneous computing of large matrices in all the channels is involved in only the first 250 ms of beat to beat interval.

## VIII. Input/output Design for SIMD array

In order to obtain a well balanced architecture, the design of the I/O system is as important as the design of Processing Elements (PEs) and array topology. Input/Output design is discussed below in terms of different classes of data formats required.

Conventional format: ECG Signal Data processing is by using the traditional data format used in conventional computers

Processing format: Bit-Plane format is the processing data format of arrays with Bit-Serial PE

Application format: It is the format of ECG Data

The Design of I/O system is such that to serve as an interface between the different formats indicated above at various stages of processing. In real time applications, with processor arrays directly connected to input and output devices, the interface between the application data format and the processing format is most important. Transfer between word at a time of the front end processor and the processing array must be efficient. The chosen design for I/O is as shown in the Figure 4 below.

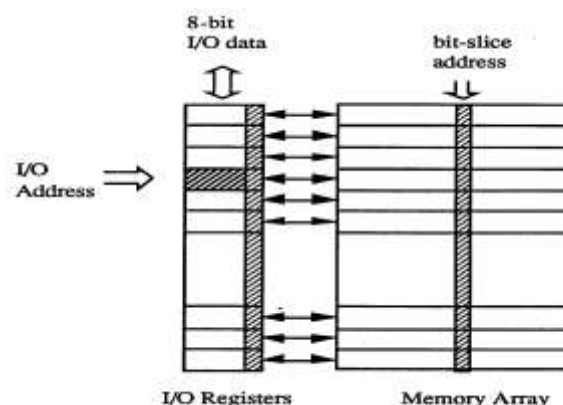


Figure 4: Input/Output Design Structure of ECG Processing System for common memory configuration

A set of 8-Bit I/O Registers (shift registers) is connected to the Memory Array, one register per memory word. The I/O registers can be read or written from the Front-End Processor, in the conventional word at a time format. A data input process can be divided into two phases: one to fill the I/O registers from the Front-End or I/O Processor, one to shift the contents portion of the I/O registers and in to any field of the Memory Array. The first phase needs one write cycle of the Front-End or I/O Processor to transfer 8 bits, the second phase requires 8 Memory Array write cycles in each of which an entire bit-slice is transferred. In the case of inter Processor Element (PE) communication, the same I/O design scheme without addressing of the I/O registers, data is shifted in and out of the registers or Bit-Serial communication, which also exists in the configuration or the architecture.

## IX. Data Flow in the Parallel Machine for Wavelet Coefficient or Transform Matrix computations

There are Analog to Digital Converters to receive ECG from the 12 leads or channels. 12 Channels are connected to 12 PEs in a 12 Channel ECG, 15 Channels are connected to 15 PEs in a 15 Channel ECG. Every 5

to 8 equidistant samples provide a cubic spline coefficient matrix with the support of a Bases function and a matrix inverse computation. About 410 matrices per heart beat are computed per channel per PE of the parallel machine. The overall architecture and data flow within the architecture is as shown in Figure 5 below

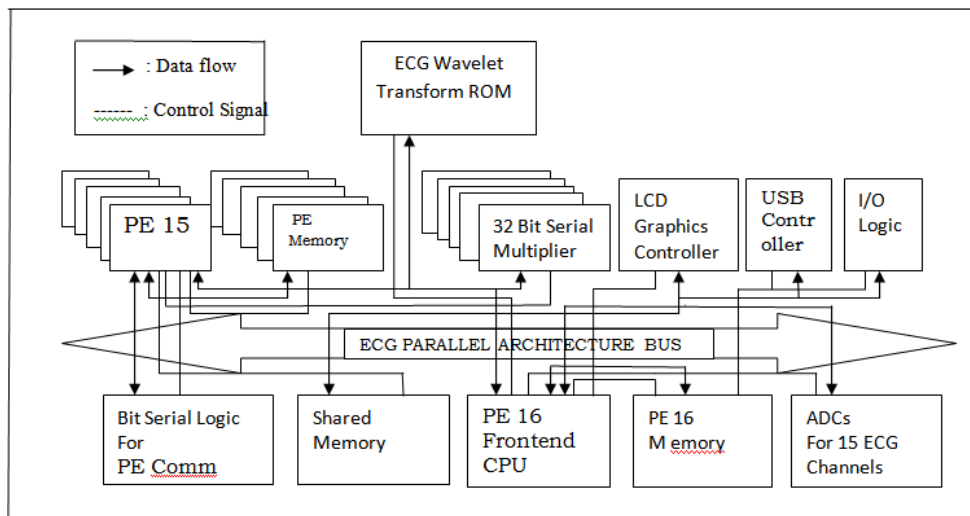


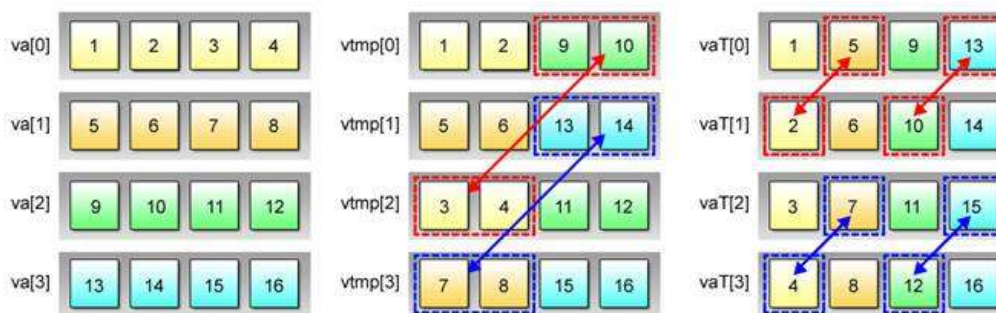
Figure 5: Architecture of ECG processing parallel machine with embedded Digital Signal Processing based on Wavelet Transform algorithms for deviation detection

### X. Wavelet Analysis Methodology

As the article is intended for evolving the above suggested architecture, the following illustrative steps of part of the algorithm are briefly indicated here, from our publication on Wavelet Analysis methodology [3], to indicate embedded Wavelet Transforms for such general parallel architectures.

$$\text{Inverse of a Matrix } A = \text{Adj } A / \det A, \text{ Adj } A = [\text{Cofactor } A]^T$$

In the Wavelet Analysis methodology of [3] the Transpose of Cofactor Matrix, to obtain inverse of 410 matrices required, for further computations of wavelet coefficient matrix is computed in two steps as indicated below, where  $va[0]$  to  $va[3]$ ,  $vtmp[0]$  to  $vtmp[3]$  and  $vaT[0]$  to  $vaT[3]$  are respective illustrative variables.



Parallel ‘C’ and Parallel Pascal are available for some of the architectural space or configurations, for developing parallel algorithms, wherever task scheduling is required for configuration deviations, for design and cost trade off at the time of implementation, front end processor is expected to play the scheduling role, which appears to be optimal solution for ECG parallel processing architecture.

### XI. Conclusion

In this review article, a complete general parallel architecture to embed algorithms of Wavelet Transforms for deviation detection of ECG is evolved, for online medical applications, in continuation to our research work, done on spline based Wavelet Transform [3], for diagnostic purpose. The suggested architecture, supports in evolving various Wavelet Transform based digital signal processing algorithms for online ECG diagnostics, to associate, deviations in ECG electrical waveform with deterioration in the specific anatomical function of heart,

as research proceeds, in this diagnostic method. For example inverted ‘T’ waveform of ECG indicates ischemia.

### **Acknowledgements**

Thanks to Department of Electronics and IT and Jodhpur National University, and specially Dr V S Chouhan, extended support in evolving a new general parallel architecture design, to be suggested, to embed Wavelet Transform algorithms, in continuation to our work done on Wavelet Transforms.

### **References**

- [1]. R. B. Wallace, R.M. Dansereau, and R.A. Goubran, “Methods for the detection of ECG characteristic points”, IEEE Symposium on Medical Measurements and Applications Proceedings (MeMeA), 01/2012. Pp 1-6 DOI: 10.1109/MeMeA.2012.6226638
- [2]. M. Unser, A. Aldroubi A., A review of wavelets in biomedical application. Proceedings of the IEEE, Vol.84, n.4, 1996, pp.626-638
- [3]. O. Rioul, P. Duhamel, Fast algorithms for discrete and continuous wavelet transforms, IEEE Trans. Information Theory, Vol.38, n.2, 1992, pp.569-586
- [4]. M. Unser, Fast Gabor-like windowed Fourier and continuous wavelet transforms, IEEE Signal Processing Letters, Vol.1, n.4, 1994, pp. 76-79
- [5]. H.A.N. Dinh, D.K. Kumar, N.D. Pah, P. Burton, Wavelets for QRS detection, Proceedings of the 23rd Annual International Conference of the IEEE Engineering in Medicine and Biology Society, 2001, pp.1883-1887.
- [6]. A. Cohen, J. Kovacevic, Wavelets: the mathematical background, Proceedings of the IEEE, Vol.84, 1996, pp.514-522
- [7]. L.Y. Yang, P. Chenglin, W. Huafeng, Z. Zhiqiang, M. Min, Using a trous Algorithm and Modulus Maximum Lines to Detect R-wave of ECG Signal, Proceedings of the 27th Annual Conference of the IEEE Engineering in Medicine and Biology, Shanghai, China, 2005, pp.1270-1273
- [8]. M. S. Koh, E. Rodriguez-Marek, Generalized and parallelized a trous and Mallat algorithms to design non-uniform filter-banks. Proceedings of the IEEE International Symposium on Signal Processing and Information, Darmstadt, Germany, 2003, pp.38-41
- [9]. M.Seshagiri Rao, Dr V S Chouhan, “ Wavelet Analysis in Medical Signal Perception for Deviation Detection: A Methodology for ECG Wavelets Deviation Detection, 2<sup>nd</sup> International Conference on “Emerging Trends and Technology in Today’s Era (ETTTE-2015) ISBN No: 978-81-927182-1-7
- [10]. Purna Chandra Suraj B.N, Veena Hegde and Abhishek Kumar Thakur, “Parallel Processing Architecture for ECG Signal Analysis, International Journal of Machine Learning and Computing, vol.3, No.3, June 2013
- [11]. Onuri Ernest E, Avodele Oludele, et.al, Department of Computer Science and Engineering, Babcock University, International Journal of Engineering and Technology, 3(2) (2014) 279-289, DOI:10.14419/ijet.v3i2.2342
- [12]. Achraf Ben Ahmed, Abderazek Ben Abdallah, “Architecture and Design of Real-Time System for Elderly Health Monitoring”
- [13]. Preprint version to be published in the International Journal of Embedded Systems (2014)
- [14]. Weichih H, Liang Y. S. & Chun C. L. (2011). “An Implementation of a Real-Time and Parallel Processing ECG Features Extraction Algorithm in a Field Programmable Gate Array (FPGA)”
- [15]. M.R. Homaeinezhad , S.A. Atyabi , E. Tavakkoli , H.N. Toosi , A. Ghaffari , R. Ebrahimpour, “ECG arrhythmia recognition via a neuro-SVM–KNN hybrid classifier with virtual QRS image-based geometrical features” Expert Systems with Applications with Applications 39 (2012) 2047 – 2058
- [16]. Weichih Hu, Chun Cheng Lin, Liang Yu Shyu “An Implementation of a Real-Time and Parallel Processing ECG Features
- [17]. Extraction Algorithm in a Field Programmable Gate Array (FPGA)” Computing in Cardiology 2011;38:801–804 ISSN 0276–6574
- [18]. O. Rioul, P. Duhamel, Fast algorithms for discrete and continuous wavelet transforms, IEEE Trans. Information Theory, Vol.38, n.2, 1992, pp.569-586

### **Books**

- [1] Medicalook (2009) “Heart” in Medicalook website [www.medicalook.com](http://www.medicalook.com), retrieved April 8, 2013.
- [2] AKW Medical (2013) “What is an EKG and how does it work” [www.akwmedical.com](http://www.akwmedical.com), retrieved April 7, 2013.
- [3] MedinePlus Medical Encyclopaedia (2013): “Electrocardiogram” in MedinePlus website [www.medineplus.com](http://www.medineplus.com). Retrieved June 03, 2013.